

## Drawers and Runners

### InnoTech double walled drawer systems - Component form 470mm



**Full extension**  
**Soft close**  
**30 kg load capacity**  
**Minimum carcass depth 485mm**  
**Silver**

<b>Sets contains:</b>	470mm Drawer sides
	470mm Runners
	Timber back connectors or steel backs
	Front connectors
	Cover caps
	Pot rails and connectors (Pot drawers only)

Item Code	Description
<b>Drawers with timber back connectors - Requires timber base &amp; back</b>	
60-drawerstd	Drawer set 70mm
60-drawerpp	Drawer set 144mm (Pot)
<b>Drawers with steel backs - Requires timber base only</b>	
60-COM300STD	Standard Height Silver 300mm Carcase
60-COM400STD	Standard Height Silver 400mm Carcase
60-COM450STD	Standard Height Silver 450mm Carcase
60-COM500STD	Standard Height Silver 500mm Carcase
60-COM600STD	Standard Height Silver 600mm Carcase
60-COM700STD	Standard Height Silver 700mm Carcase
60-COM800STD	Standard Height Silver 800mm Carcase
60-COM900STD	Standard Height Silver 900mm Carcase
60-COM1000STD	Standard Height Silver 1000mm Carcase
60-COM1200STD	Standard Height Silver 1200mm Carcase
60-COM300PP	Pot Height Silver 300mm Carcase
60-COM400PP	Pot Height Silver 400mm Carcase
60-COM450PP	Pot Height Silver 450mm Carcase
60-COM500PP	Pot Height Silver 500mm Carcase
60-COM600PP	Pot Height Silver 600mm Carcase
60-COM700PP	Pot Height Silver 700mm Carcase
60-COM800PP	Pot Height Silver 800mm Carcase
60-COM900PP	Pot Height Silver 900mm Carcase
60-COM1000PP	Pot Height Silver 1000mm Carcase
60-COM1200PP	Pot Height Silver 1200mm Carcase

**Other sizes: 260, 350, 420, 520, 620 available to order (lead times will apply)**

## InnoTech double walled drawer systems - Pre Assembled 470mm



**Full Extension**  
**30 Kg Load Capacity**  
**Soft close**  
**Minimum carcass depth**  
**485mm**  
**Complete ready to install**

### Other sizes:

260, 350, 420, 520, 620 available to order (lead times will apply)

Item code	Description
<b>Standard Height 470 Drawer sets</b>	
60-300STD	70mm Drawer for 300mm Carcase
60-400STD	70mm Drawer for 400mm Carcase
60-450STD	70mm Drawer for 450mm Carcase
60-500STD	70mm Drawer for 500mm Carcase
60-600STD	70mm Drawer for 600mm Carcase
60-700STD	70mm Drawer for 700mm Carcase
60-800STD	70mm Drawer for 800mm Carcase
60-900STD	70mm Drawer for 900mm Carcase
60-1000STD	70mm Drawer for 1000mm Carcase
60-1200STD	70mm Drawer for 1200mm Carcase
<b>Pot Height 470 Drawer sets</b>	
60-300PP	144mm Drawer for 300mm Carcase
60-400PP	144mm Drawer for 400mm Carcase
60-450PP	144mm Drawer for 450mm Carcase
60-500PP	144mm Drawer for 500mm Carcase
60-600PP	144mm Drawer for 600mm Carcase
60-700PP	144mm Drawer for 700mm Carcase
60-800PP	144mm Drawer for 800mm Carcase
60-900PP	144mm Drawer for 900mm Carcase
60-1000PP	144mm Drawer for 1000mm Carcase
60-1200PP	144mm Drawer for 1200mm Carcase

**All drawers are made to order - please allow up to 3 working days for delivery**

## InnoTech Pre Assembled Pantry Drawers



Item Code	Description
<b>Standard Height 470 Drawer Set</b>	
60-400Pantry	70mm Drawer for 400mm Carcase
60-500Pantry	70mm Drawer for 500mm Carcase
60-600Pantry	70mm Drawer for 600mm Carcase
<b>Pot Height 470 Drawer sets</b>	
60-400PPantry	144mm Drawer for 400mm Carcase
60-500PPantry	144mm Drawer for 500mm Carcase
60-600PPantry	144mm Drawer for 600mm Carcase



## ArciTech Drawer sets - Anthracite Component form



Sets contains:	Item code	
		450mm Anthracite sides
	65-DRAWERSTD	450mm Acto full extension runners 40Kg
		94mm rear panel connectors
		Front connectors for drawer cap
		Cover caps
		Requires timber base & back

Many other options are available for these drawers. Please refer to volume 1 page 616 for further options including steel backs, internal fronts, glass sides and more

## ArciTech Drawer sets - Anthracite Component form

### ArciTech double walled drawer system

- ▷ Pot-and-pan drawer / internal pot-and-pan drawer, height 186 mm, drawer-side profile height 94 mm
- ▷ Powder coated steel, anthracite



Sets contains:	Item code	
		450mm Anthracite sides
	65-DRAWERPP	450mm Acto full extension runners 40Kg
		186mm rear panel connectors
		Front connectors for drawer cap
		Cover caps
		450mm Pot rails
		Rail connectors
		Requires timber base and back

Many other options are available for these drawers. Please refer to volume 1 page 616 for further options including steel backs, internal fronts, glass sides and more



## Quadro V6 full extension concealed runners with soft close. 30kg load Capacity 4D way adjustment



- Silent System - the integrated Silent System closes the drawer quietly and gently
- Convenient slide on installation with 4D catch and tilt adjuster
- Tool-less, intuitive height adjustment up to + 2 mm, side adjustment up to +/- 1.5 mm
- Depth adjustment up to + 4 mm and tilt adjustment
- Load capacity to EN 15338, Level 3
- Galvanised steel, suitable for rooms exposed to moisture

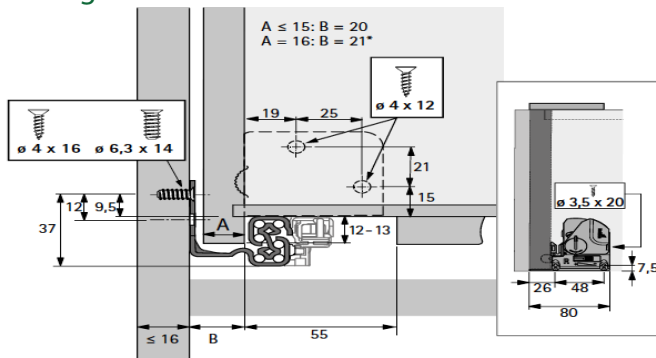
Set comprises:

- 1 drawer runner, left and right
- 1 catch, left and right
- 1 tilt adjuster, left and right

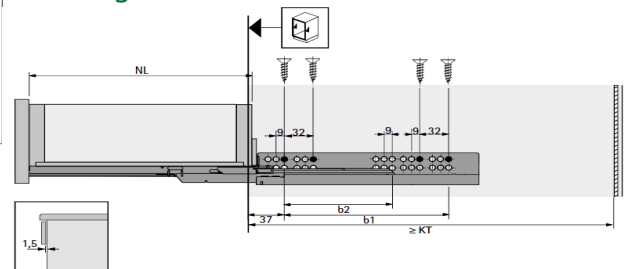


Item code	Drawer runner length mm	Min carcass depth	PU	Vol / Page
9181288	250	263	1	1/1570
9181289	280	293	1	1/1570
9181290	300	313	1	1/1570
9181291	320	333	1	1/1570
9181292	350	363	1	1/1570
9181293	380	393	1	1/1570
9181294	400	413	1	1/1570
9181295	420	433	1	1/1570
9181296	450	463	1	1/1570
9181297	480	493	1	1/1570
9181298	500	513	1	1/1570
9181299	520	533	1	1/1570
9181300	550	563	1	1/1570
9181301	580	593	1	1/1570
9181302	600	613	1	1/1570

### Planning dimensions



### Planning dimensions



## KA 5332 Full extension runner for side installation. 30 kg

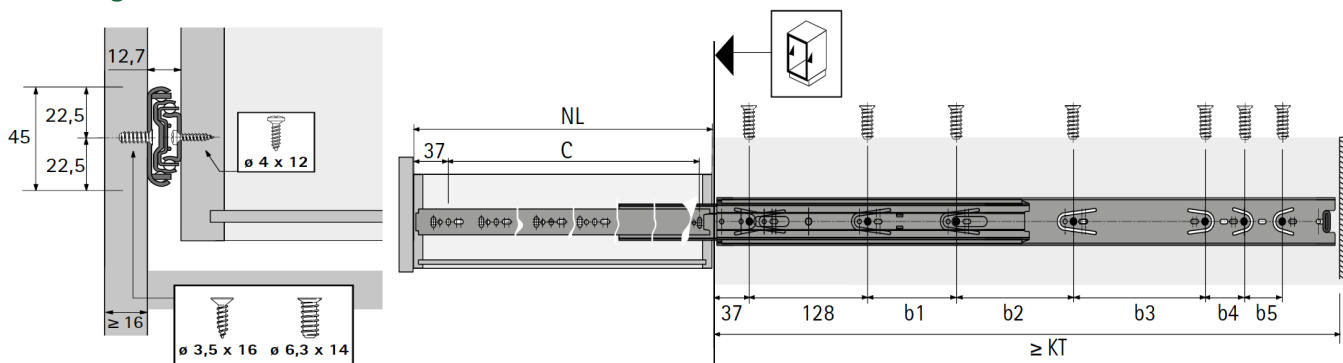


- Precision full extension runner with pull-out stop and roll-out prevention
- A release lever makes the drawer easy to remove and reinstall
- Precision control for moving smoothly and freely and high lateral stability
- For drawers with grooved, rebated or loosely fitted drawer bottom panel
- Load capacity to EN 15338, Level 1
- Galvanised steel, blue passivated



Item code	Drawer length mm	Min depth mm	PU	Vol / Page
9070496	KA 5332 30kg 250	254	10	1/1603
9070498	KA 5332 30kg 300	304	10	1/1603
9057402	KA 5332 30kg 350	354	10	1/1603
9057403	KA 5332 30kg 400	404	10	1/1603
9057404	KA 5332 30kg 450	454	10	1/1603
9057405	KA 5332 30kg 500	504	10	1/1603
9057407	KA 5332 30kg 550	554	10	1/1603
73283	KA 5632 45kg 600	604	10	1/1602
73284	KA 5632 45kg 650	654	10	1/1602
41355	KA 5632 45kg 700	704	10	1/1602

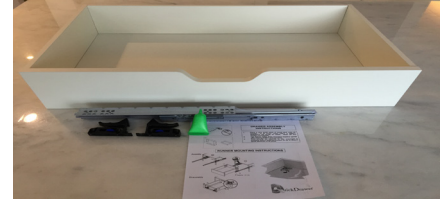
### Planning dimensions



## Innowood Drawers



- Ready to assemble timber drawers
- Quadro soft close part extension runners
- For 500, 800, 900 and 1000 mm carcases
- Drawer front 150 mm high
- Colour: Cream



Item code	Description	PU
KA0340	500mm Innowood	1
KA0342	800mm Innowood	1
KA0344	900mm Innowood	1
KA0346	1000mm Innowood	1

## Innorobe Drawers



- Ready to assemble timber drawers (flat packed)
- Quadro soft close part extension runners
- For 900 mm carcase
- Height 180 mm
- Colour: Cream
- Attach your own drawer front



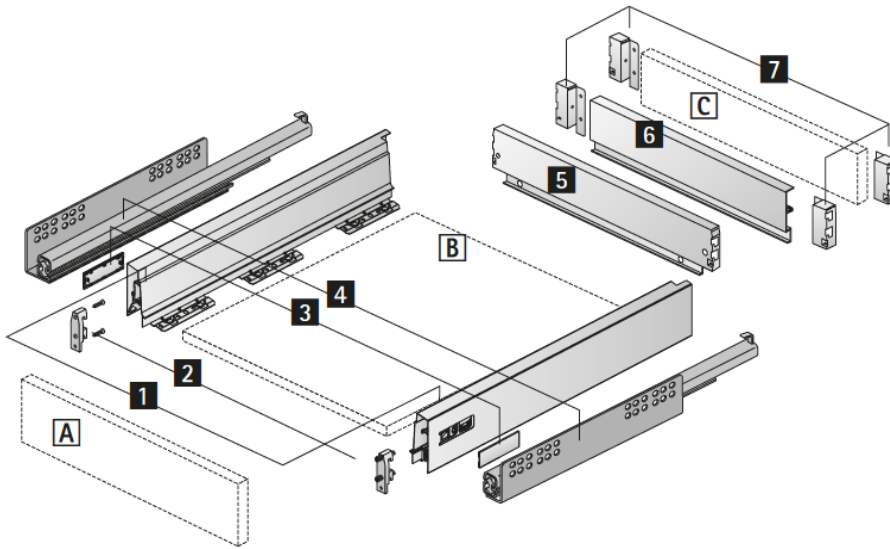
Item code	Description	PU
KA0360	900mm Innorobe	1



# Drawer Components

Innotech Atira drawer components (Bulk buying)

Standard height drawer components (Cutlery drawer)



- 1 Drawer side profile, left and right
- 2 Drawer front connector for drawer side profile, 2 each
- 3 Cover cap, 2 each
- 4 Quadro drawer runner, left and right, see page 1341
- 5 Steel rear Panel

**Alternatively:**

- 6 Aluminium rear panel or C Wooden rear panel and
- 7 Rear panel connector, left and right
- A Front panel
- B Bottom panel (material thickness 16 mm)
- C Wooden rear panel (material thickness 16 mm)

## Drawer Components - Innotech



Item code	Description	PU	Vol/Page
9194390	260mm Silver drawer side left	18	1/1042
9194391	260mm Silver drawer side right	18	1/1042
9194398	470mm Silver drawer side left	18	1/1042
9194399	470mm Silver drawer side right	18	1/1042
1065191	Drawer front connector screw on	400	1/1042
1061450	Drawer front connector knock in	400	1/1042
9194646	Cover cap, Grey with Hettich logo	300	1/1042
9047392	260mm Quadro runner left	20	1/1348
9047393	260mm Quadro runner right	20	1/1348
9047452	470mm Quadro runner left	20	1/1348
9047453	470mm Quadro runner right	20	1/1348

## Drawer Components - Innotech



Item code	Description	PU	Vol/Page
9004059	275mm Carcase	20	1/1053
9004065	300mm Carcase	20	1/1053
9004067	350mm Carcase	20	1/1053
9004068	400mm Carcase	20	1/1053
9004069	450mm Carcase	20	1/1053
9004070	500mm Carcase	20	1/1053
9004071	550mm Carcase	20	1/1053
9004072	600mm Carcase	20	1/1053
9004073	700mm Carcase	10	1/1053
9004074	800mm Carcase	10	1/1053
9004075	900mm Carcase	10	1/1053
9004076	1000mm Carcase	10	1/1053
9004077	1200mm Carcase	10	1/1053
<b>70mm back panels (Cutlery drawers)</b>			
1061900	275mm Carcass	40	1/1040
1061901	300mm Carcass	40	1/1040
1061902	350mm Carcass	40	1/1040
1061903	400mm Carcass	40	1/1040
1061904	450mm Carcass	40	1/1040
1061905	500mm Carcass	40	1/1040
1061906	550mm Carcass	40	1/1040
1061907	600mm Carcass	40	1/1040
1063664	700mm Carcass	20	1/1040
1062960	800mm Carcass	20	1/1040
1062961	900mm Carcass	20	1/1040
1063667	1000mm Carcass	20	1/1040
9004102	1200mm Carcass	20	1/1040
<b>70mm Back panel connector Left</b>			
1062501	70mm Back panel connector Left	40	1/1042
<b>70mm Back panel connector Right</b>			
1062502	70mm Back panel connector Right	40	1/1042
<b>144mm Back panel connector Left</b>			
9007355	144mm Back panel connector Left	40	1/1056
<b>144mm Back panel connector Right</b>			
9007356	144mm Back panel connector Right	40	1/1056
<b>260mm pot rail left</b>			
9194522	260mm pot rail left	80	1/1055
<b>260mm pot rail right</b>			
9194523	260mm pot rail right	80	1/1055
<b>470mm pot rail left</b>			
9194530	470mm pot rail left	80	1/1055
<b>470mm pot rail right</b>			
9194531	470mm pot rail right	80	1/1055
<b>Pot rail connector</b>			
9002503	Pot rail connector	400	1/1055

## InnoTech Atira double walled drawer system

- Internal pot-and-pan drawer front with railing, height 144 mm
- Silver

Item code	Description	PU	Vol / Page
	Front Panel for internal pot-and-pan drawer		
9194719	300mm carcass	1	1/1047
9194720	400mm carcass	1	1/1047
9194721	500mm carcass	1	1/1047
9194722	600mm carcass	1	1/1047
9194723	700mm carcass	1	1/1047
9194724	800mm carcass	1	1/1047
9194725	900mm carcass	1	1/1047
9194726	1000mm carcass	1	1/1047
9194727	1200mm carcass	1	1/1047



## InnoTech Atira double walled drawer system

- Internal drawer front, height 70 mm
- Powder coated steel, silver

9194770	300mm carcass	1	1/1069
9194771	400mm carcass	1	1/1069
9194772	500mm carcass	1	1/1069
9194773	600mm carcass	1	1/1069
9194774	700mm carcass	1	1/1069
9194775	800mm carcass	1	1/1069
9194776	900mm carcass	1	1/1069
9194777	1000mm carcass	1	1/1069
9194778	1200mm carcass	1	1/1069



# Inserts for Innotech

Made to fit inside 470mm Silver or white Innotech drawers  
Anthracite plastic tray



\*\*Insert may differ from image

Item code	Description	PU
KAMOVEATIRA300	500mm carcass Anthracite (for silver drawer)	1
KAMOVEATIRA400	500mm carcass Anthracite (for silver drawer)	1
KAMOVEATIRA500	500mm carcass Anthracite (for silver drawer)	1
KAMOVEATIRA600	600mm carcass Anthracite (for silver drawer)	1
KAMOVEATIRA800	800mm carcass Anthracite (for silver drawer)	1
KAMOVEATIRA900	900mm carcass Anthracite (for silver drawer)	1
KA4885	300mm carcass White	1
KA4886	400mm carcass White	1
KA4887	500mm carcass White	1
KA4888	600mm carcass White	1
KA4889	800mm carcass White	1
KA4890	900mm carcass White	1
KA4891	1000mm carcass White	1

## Inserts for Innotech

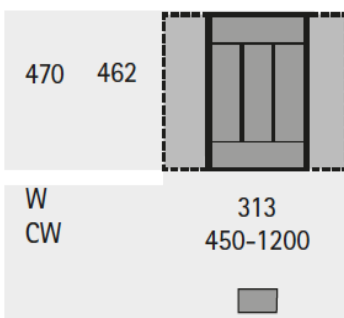
Made to fit inside 470mm Silver or white Innotech drawers

- Premounted steel cutlery tray
- Suitable for variable width use in carcases in widths of 450 mm and over
- 2 can be fitted in carcase widths of 800 mm and over
- Anti slip mat must be ordered separately

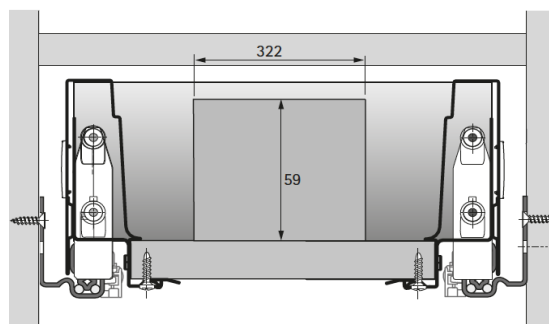


Item code	Description	PU	Vol / Page
9194881	Steel cutlery tray	1	1/1120
KAMATIRA500	Antislip mat for 500mm carcase	1	
KAMATIRA600	Antislip mat for 600mm carcase	1	
KAMATIRA800	Antislip mat for 800mm carcase	1	
KAMATIRA900	Antislip mat for 900mm carcase	1	

### Partitioning



### Dimensional drawing



# Inserts for Arcitech Drawers

Made to fit inside 450mm Anthracite Arcitech drawers  
Anthracite plastic tray



\*\*Insert may differ from image

Item code	Description	PU
KAMOVE500/500	500mm carcase	1
KAMOVE500/600	600mm carcase	1
KAMOVE450/900	900mm carcase	1