

Index

Lehmann Locks	
Cylinder + Keys	80-83
Dial Lock	84-87
Case locks cam locks and shooting bar locks	88-93
Espagnolette locks	94-95
Sliding door locks	96-97
Pedastal locks	98-99
Filing Cabinet locks / Side Filers	100-101
System components	102-103



CONVINCING SECURITY

Whether in the office, at home or on the go, those who want to be on the safe side rely on locking systems from [LEHMANN](#). Thanks to our wide product range and innovative R+D department, you will find convincing solutions for all requirements. Whether classic or customized locking solutions – [LEHMANN](#) locks are everything but standard.

Cylinder & Keys

General Master Key
Operates combinations of group HSA and HSB /

Combination:
18001 - 19000
A 18001 - 18500
B 18501 - 19000

GHS 12



18001 - 19000

Master Key

Operates combinations of group A or B /

HSA 12



18001 - 18500

HSB 12



18501 - 19000

Key

Double profile key

Standard B1



18001 - 18500

Standard B1



18501 - 19000

Key

Double profile key with bar channel profile

bar channel B5



18001 - 18500

bar channel B5



18501 - 19000

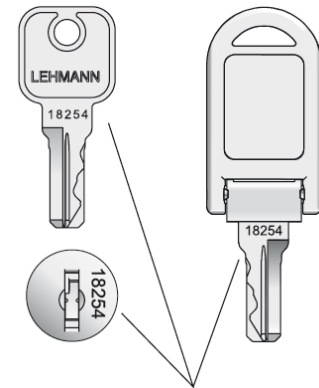
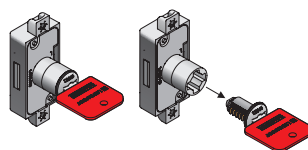
Removal Key

To be dismantled in opened position

MAB 00



18001 - 19000



Keys and cylinder cores are numbered

Cylinder & Keys

Order - No.

Finish

BQ



GHS 12
General Master Key



640171000	18001-19000		1
------------------	--------------------	--	---



HSA 12 HSB 12
Master Key



640171310 A	18001-18500		1
640171330 B	18001-19000		1



MAB 00
Removal Key



649299992	18001-19000		100
------------------	--------------------	--	-----

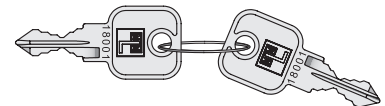


B1.2 + B1.2

Cylinder with key set
Cylinder core including
Cylinder keys, keyed on a ring



Z23



B1.2

B1.2

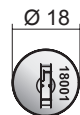
nickel plated

248350026	18001	Keyed alike in a box	300	3000
248350023	18001-18020	Keyed to differ in a box	300	1200

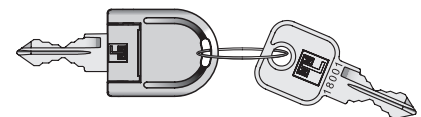


B1.10 + B1.2

Cylinder with key set
Cylinder core including
Cylinder flexy key with standard
key, keyed on a ring



Z23



B1.10

B1.2

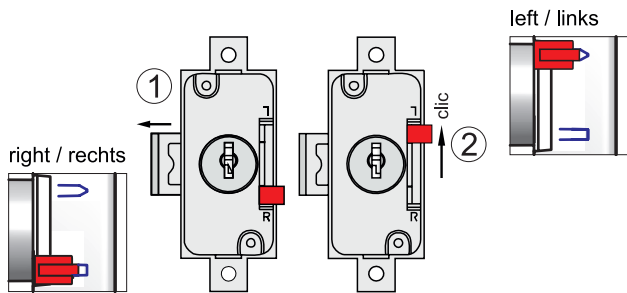
nickel plated

248350014	18001-18020	Keyed to differ in a box	300	1200
------------------	--------------------	--------------------------	-----	------

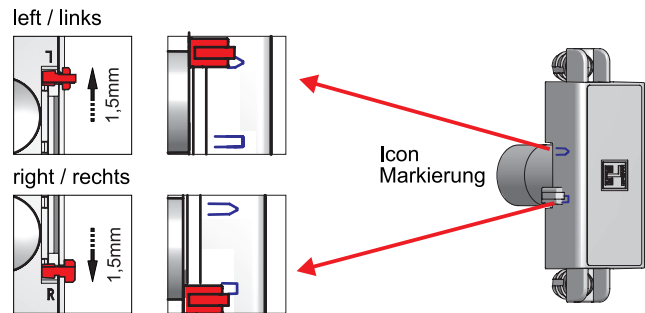
Variation, finishes on request

To adjust right - left / key retention

To adjust 550 / 750 right / left

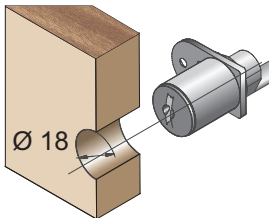


To adjust key retention 550 / 750

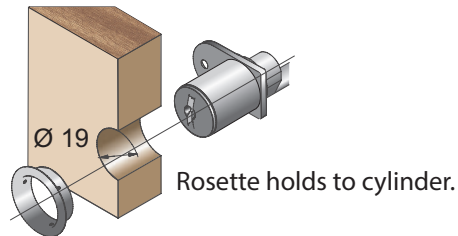


Drilling template with or without rosette

Lock without rosette. Drilling \varnothing 18 mm



Lock with rosette. Drilling \varnothing 19 mm



Advice

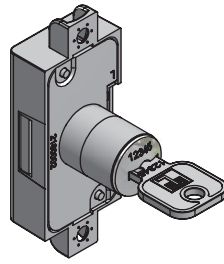
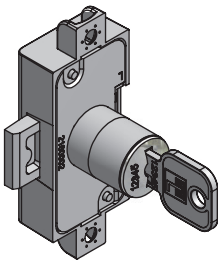
It is generally possible to use **LEHMANN** locks and locking systems in combination with additional components from other manufacturers, however it is the responsibility of the furniture maker to ensure compatibility of all parts with each other.

Care Advice

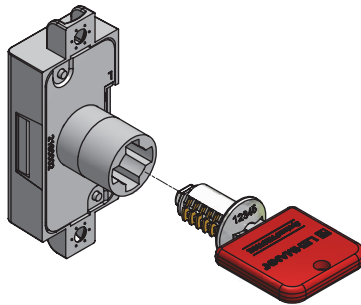
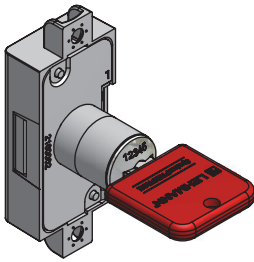
LEHMANN locks and fittings are manufactured to DIN EN 16014. Operating cycles and service life of cylinder lock systems for office furniture meet the requirements specified in DIN. All mechanical components – cylinder and key in particular – are subject to mechanical wear from daily use. To prolong their service life and maintain optimum action, we recommend treating them with Interflon Fin Super after every 5000 locking cycles or once a year with a Teflon-based synthetic lubricant, eg. Interflon Fin Super.

Closed

Open

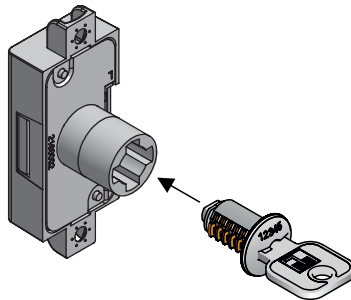
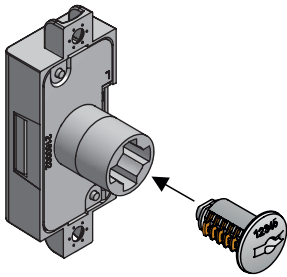


Removal

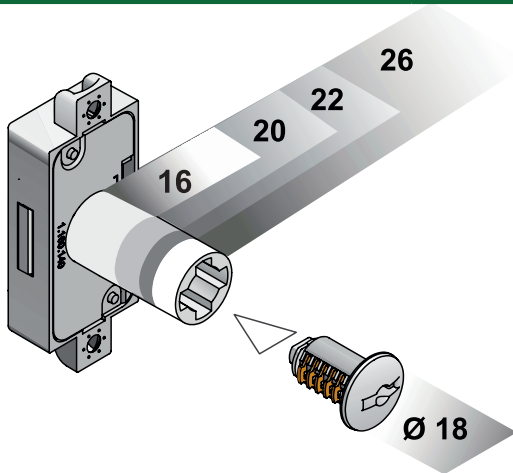


To be dismantled in opened position
with removal key.

Assembly



Cylinder lengths



Basis Ø 18 mm
Cylinder lengths : 16 / 20 / 22 / 26 mm

Dial Locks

Security requires no key. In order to know that valuables and personal belongings are kept safe, you need nothing but a freely selected, four-digit code. The perfect solution for keyless-access if a high number of possible combinations is required. Whether hinged-, tambour- or sliding doors – as well as pedestals with drawers – LEHMANN provides keyless security for all applications.

- Four dials for high security
- Scrambling feature of dials during opening and closing
- Code refind function
- Emergency opening feature
- Suitable for various panel thicknesses from 0.8 mm to 21 mm (steel, glass, wood ...)
- High flexibility as your individual code can be freely programmed
- Simplified logistics due to neutral delivery
- No administrative burden of key management

FREECODE

The Freecode version works in the same way as known from safes or lockers: Place valuables in the compartment, set a personal code with the „Dial Lock“ and close the door. When opening the lock again the present code will be erased automatically. A new code has to be set each time the lock is open. The scrambling feature (the set code is concealed during the locking process) ensures security against unauthorized opening, even with the Freecode.

Freecode is suitable for cabinet systems with lockers in sports and recreation areas, in schools, universities, libraries, museums, shopping centers, exhibition or conference centers as well as in hotels or spas.



Turn handle „B“

DIAL LOCK FREECODE

A1XBX58



Indicator for locked position



Code finding function from front

STANDARD FINISHES



Black



White



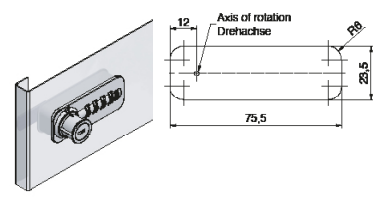
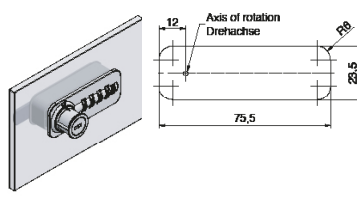
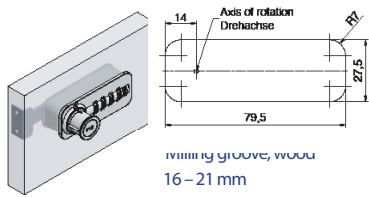
Chrome matt

Further finishes and colours on request.

TECHNICAL INFORMATION

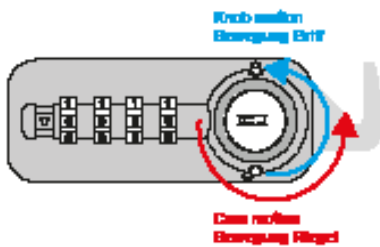
STANDARD INSTALLATION SITUATIONS

Installation in wood, glass or steel is possible with the same components if required.
The milling groove and stamping configuration is identical for Freecode and Fixcode.

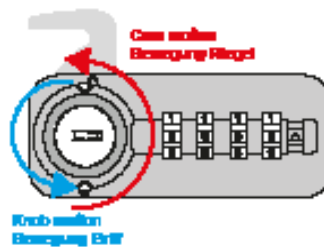


ROTATION DIRECTION

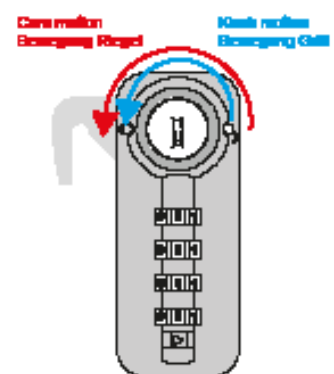
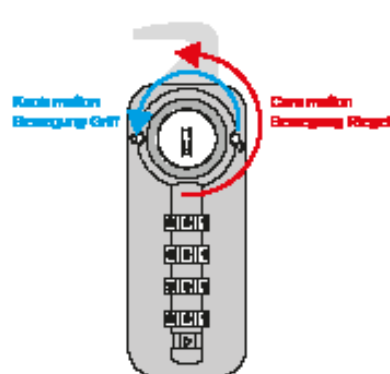
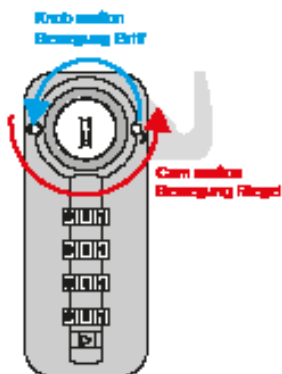
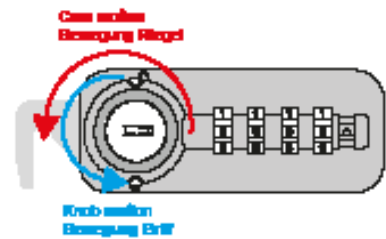
Lock left



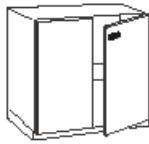

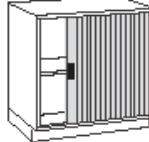



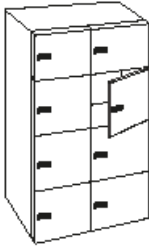



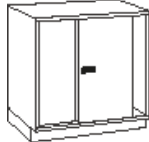

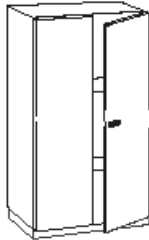

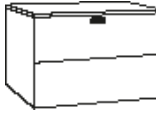
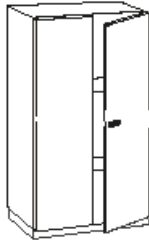

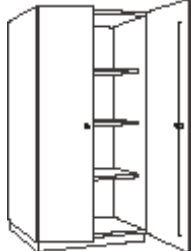

Lock vertical



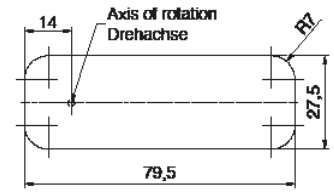
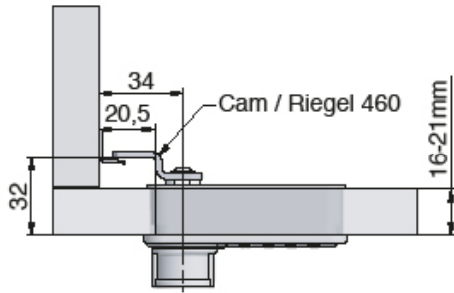
Lock right



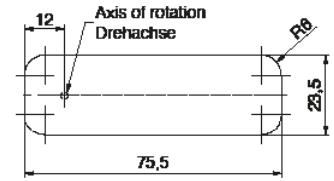
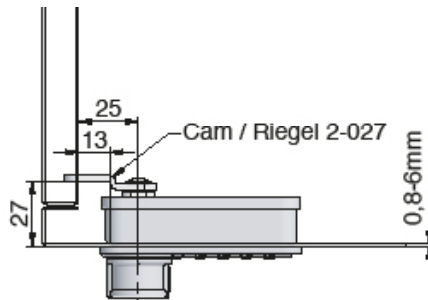
Here the example of Dial Lock 57 Fixcode.

Lock for cam		
Tambour locks		
Central locking		
Lock with bolt		
Slam lock		
Sliding door locks		
Shooting bar lock		
Filling cabinet lock	 	
Espagnolette lock		

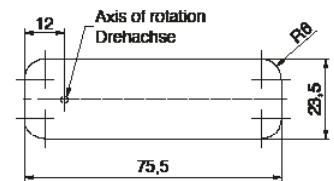
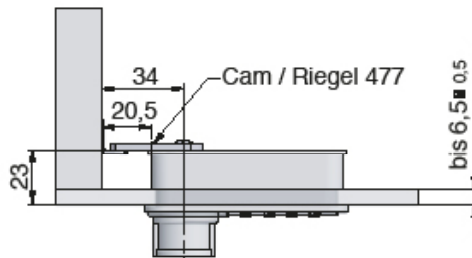
Lock for Cam



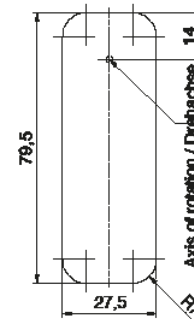
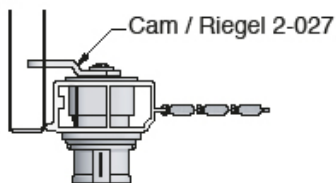
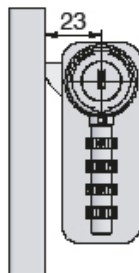
Milling groove



Stamping configuration



Stamping configuration



Milling groove

Case locks

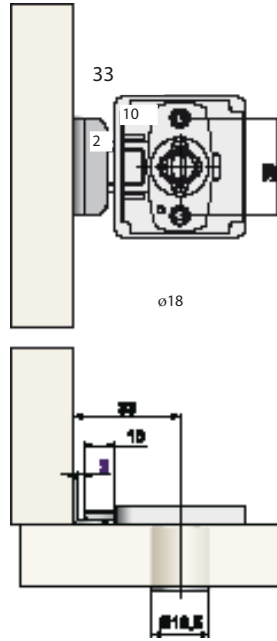
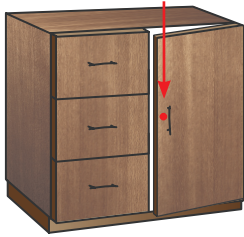
Type 391

Order - No.

Finish

BQ

Application example

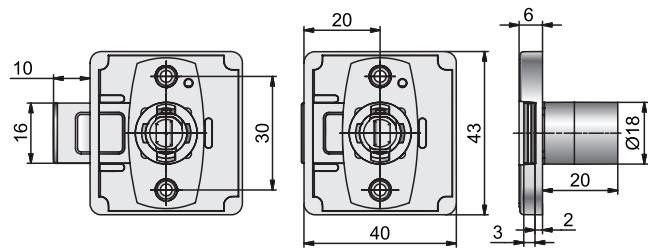
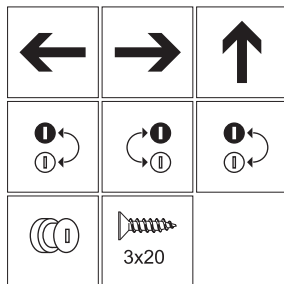


Striker plate 3011 (see chapter 12)

Type 391



Case lock 391



143972007↑

20 mm

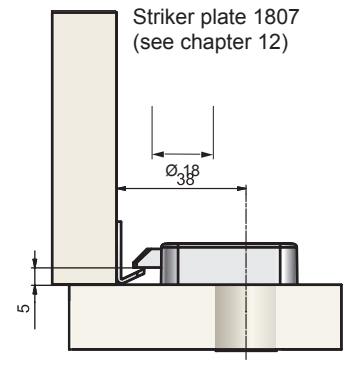
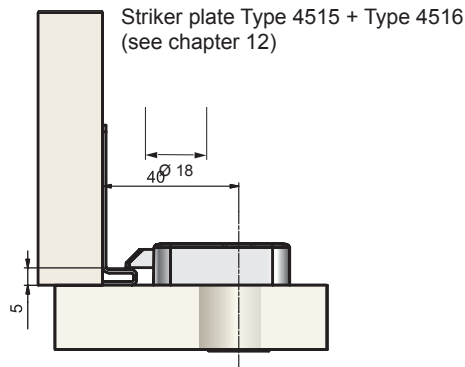
nickel plated

100

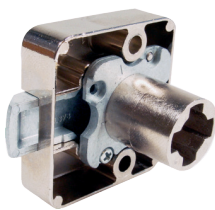
Slam Case locks

Type 584	Order - No.	Finish	BQ
----------	-------------	--------	----

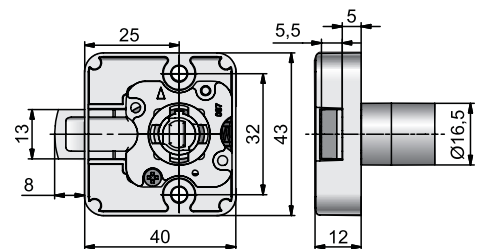
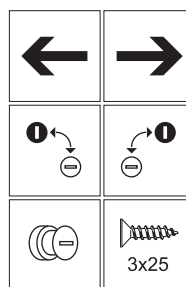
Application example



Type 584



Slam lock 584



145842255 ←	25 mm	nickel plated	50
-------------	-------	---------------	----

Case locks & Automatic door locks

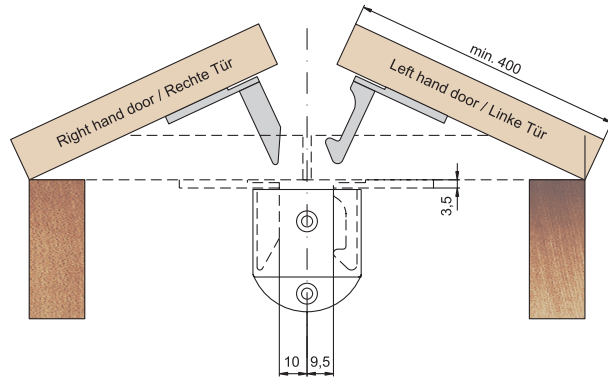
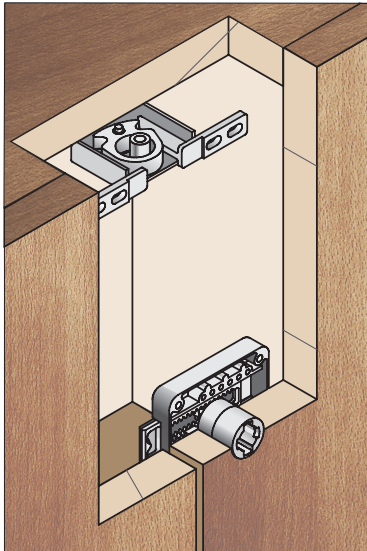
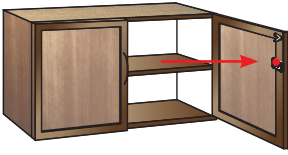
Type 330

Order - No.

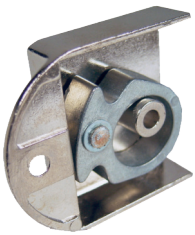
Finish

BQ

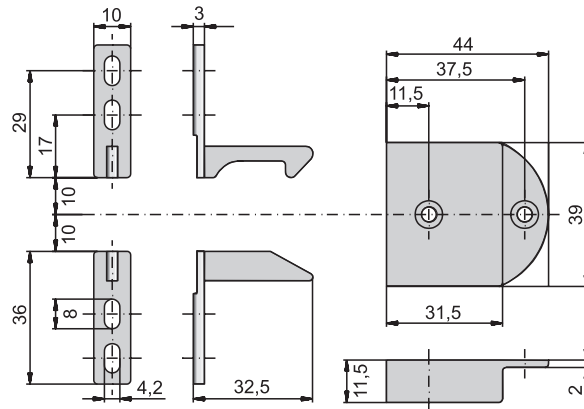
Application example



Type 330



Automatic door bolt 330



443301000

nickel plated

100

Cabinet locks

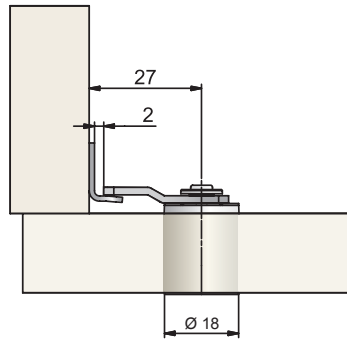
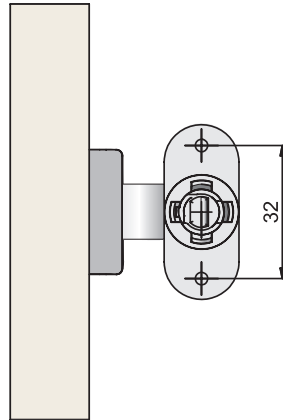
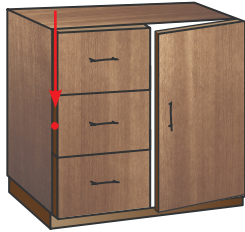
Type 371

Order - No.

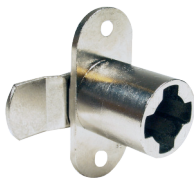
Finish

BQ

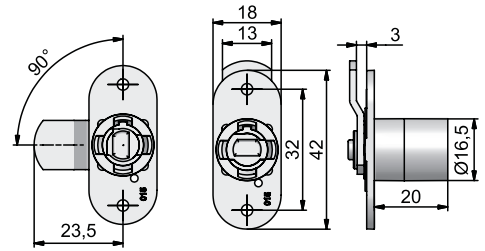
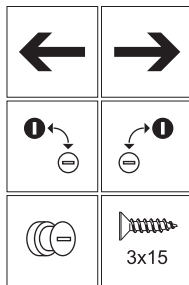
Application example



Striker plate 3011 (see chapter 12)



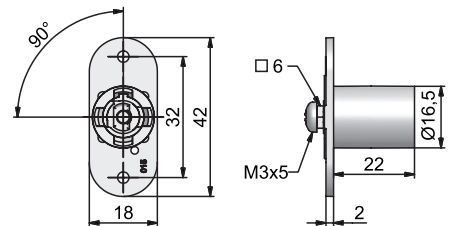
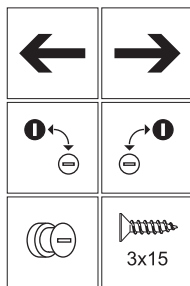
Cam lock 371



143702005 ←	nickel plated	50
143702006 →	nickel plated	50



Cam lock 375

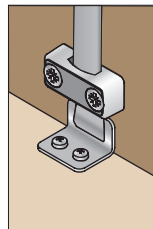
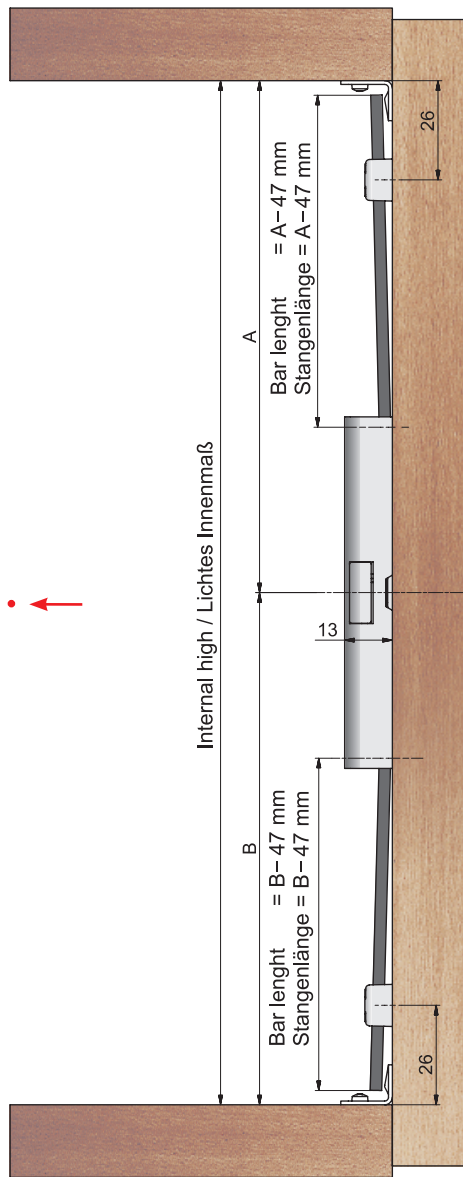
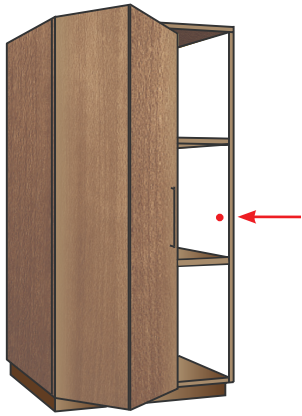


143754025 ←	nickel plated	50
143764025 →	nickel plated	50

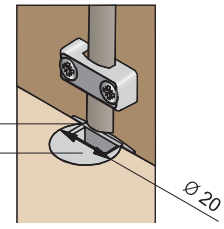
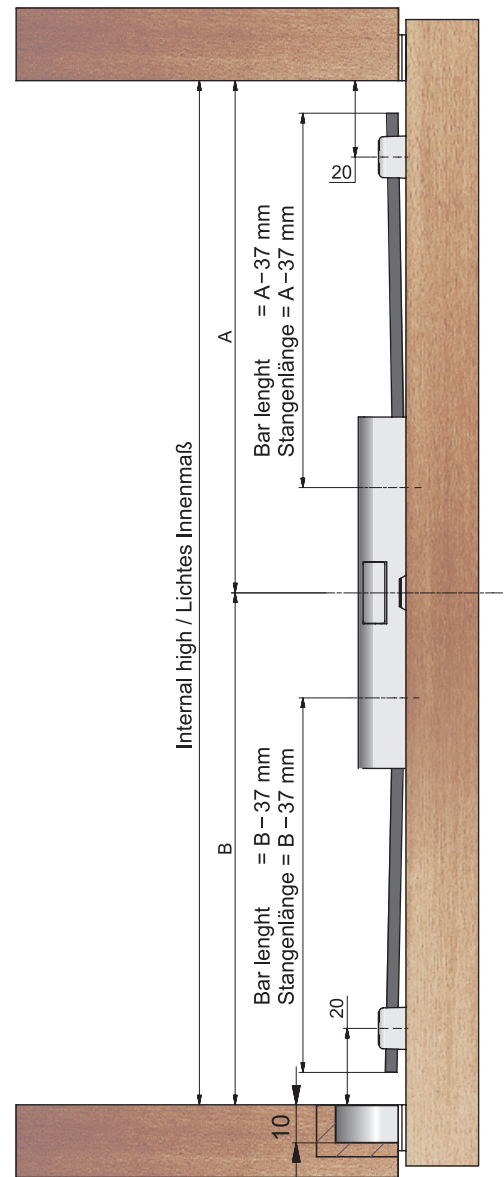
Shooting bar locks

Type 292

Application example



Striker plate 2211 (see page 3.13)



Striker 037 (see page 3.13)

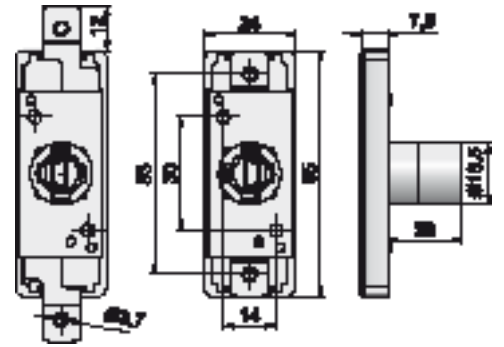
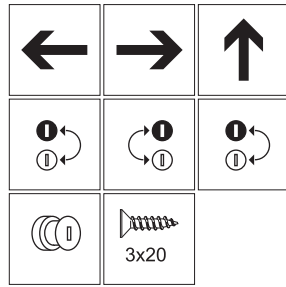
- Stroke 16 mm
- Hub 16 mm

Shooting bar locks

Type 292	Order - No.	Finish	BQ
----------	-------------	--------	----



Shooting bar lock 292



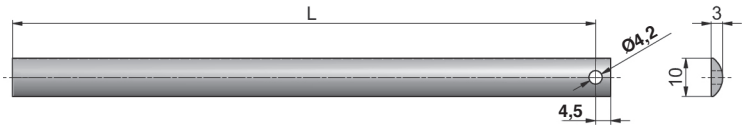
142972005 ←	nickel plated	50
142972006 →	nickel plated	50
142972007 ↑	nickel plated	25

System components



Shooting bar 043

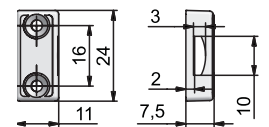
Steel solid section
Vollprofil 10x3



540600430	600 mm	nickel plated	50
540800430	800 mm	nickel plated	50
541000430	1000 mm	nickel plated	50



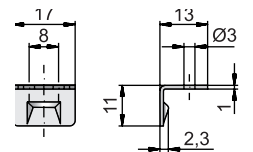
Rod guide 041



542920410	nickel plated	250
------------------	---------------	-----



Striker plate 2211

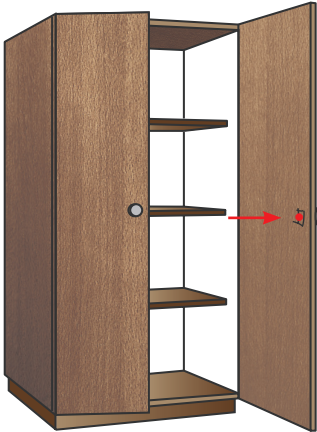


442211430	nickel plated	1000
------------------	---------------	------

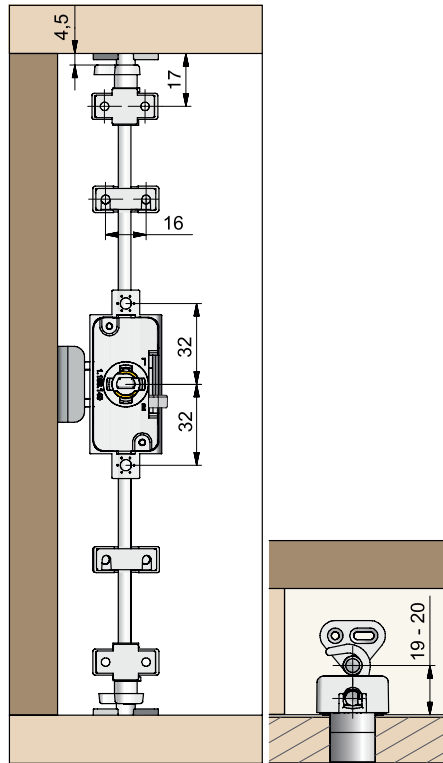
Espagnolette locks

Type 700-709	Order - No.	Finish	BQ
--------------	-------------	--------	----

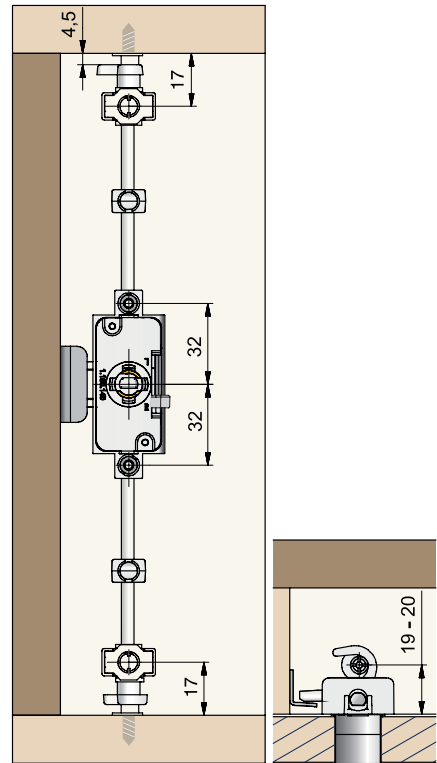
Application example



Espagnolette lock - screw fixing



Espagnolette lock - to fasten with dowels

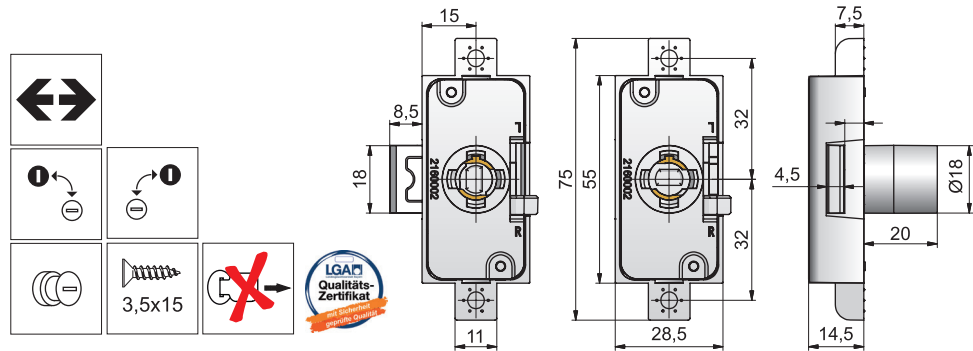


Included key retention

Type 750



Espagnolette lock 750



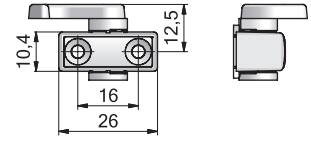
1475722150↔	15 mm	nickel plated	50
1475722250↔	25 mm	nickel plated	50

Accessories for Espagnolette

System components 700-709	Order - No.	Finish	BQ
---------------------------	-------------	--------	----



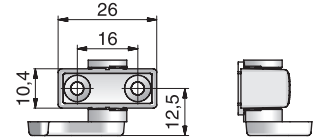
Locking hook 161.3



547401613	nickel plated	500
-----------	---------------	-----



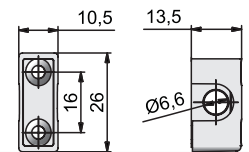
Locking hook 162.3



547401623	nickel plated	500
-----------	---------------	-----



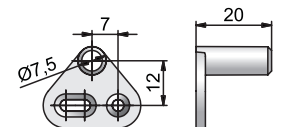
Rod guide 065.2



547400652	nickel plated	1000
-----------	---------------	------



Stop metal 057

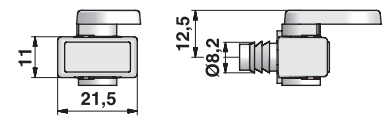


547500570	nickel plated	250
-----------	---------------	-----

System components 700-709



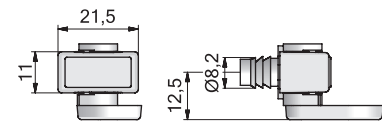
Locking hook with dowels 161.1



547491611	nickel plated	500
-----------	---------------	-----



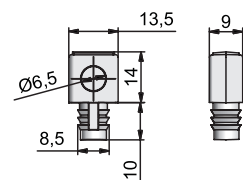
Locking hook with dowels 162.1



547491621	nickel plated	500
-----------	---------------	-----



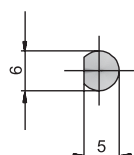
Rod guide with dowels 071



547490710	nickel plated	1000
-----------	---------------	------



Rod 6/5



Further lengths on request **Wide Range of sizes in stock**

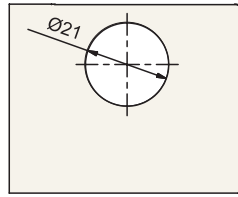
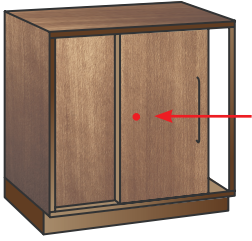
Sliding door locks

Type 501

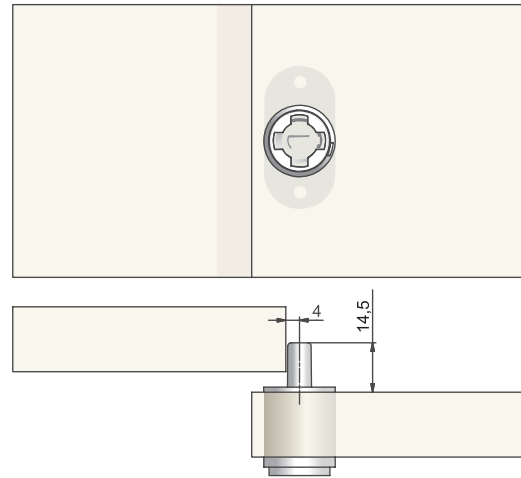
Order - No.

Finish

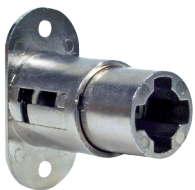
BQ



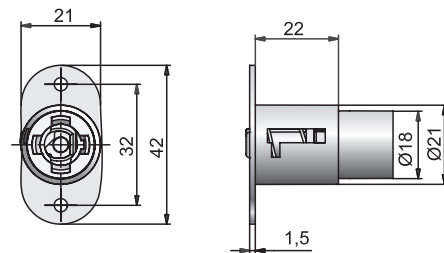
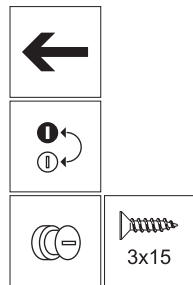
Drilling template without rosette



Type 501



Push cylinder 501



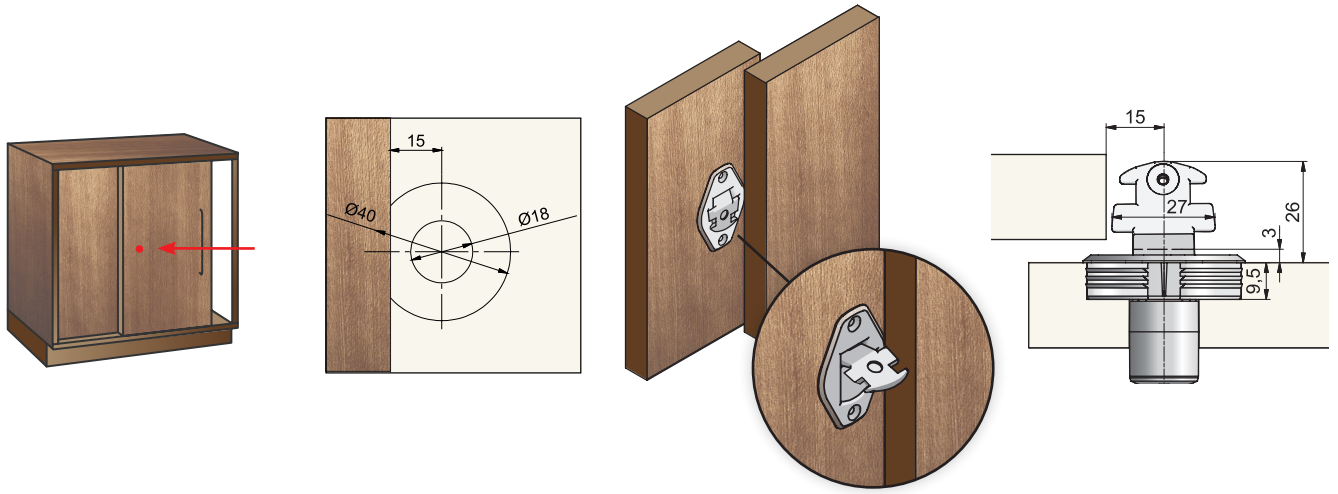
145012005 ←

nickel plated

50

Sliding door locks

Type 515	Order - No.	Finish	BQ
-----------------	--------------------	---------------	-----------

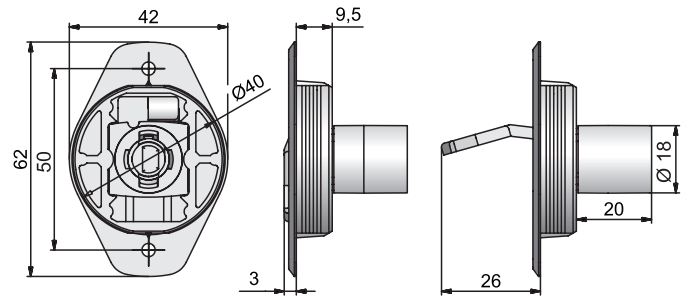
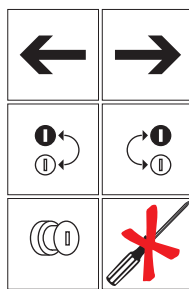


Type 515

Application example



Lock for sliding doors 515



145152005 ←

nickel plated

50

Pedastal locks

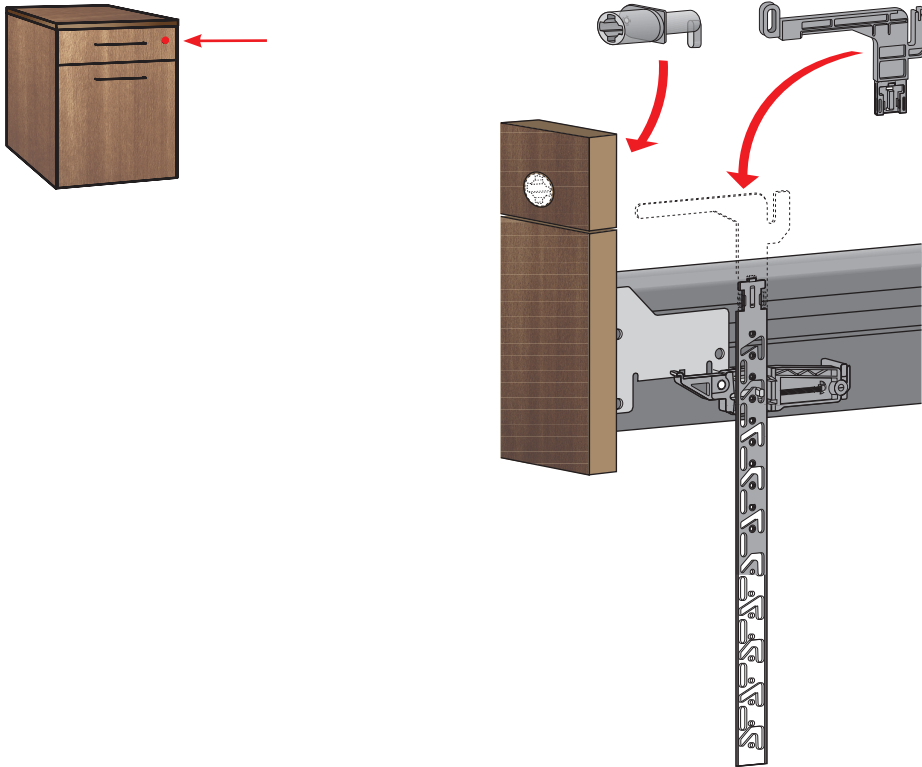
Systema Top

Order - No.

Finish

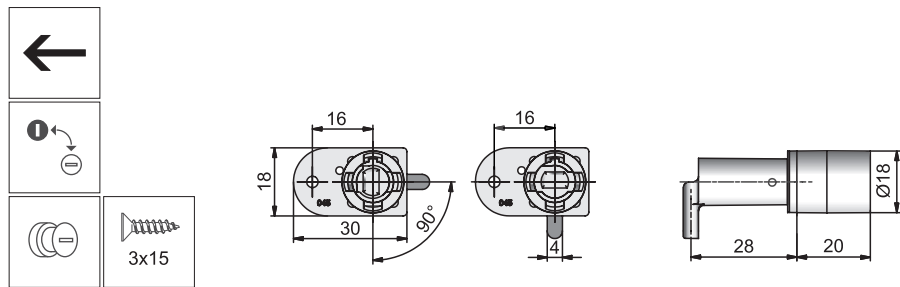
BQ

Central locking Hettich system Top 2000 Stop Control



Type 471.03

Central locking



Lock 471.03

144712035	nickel plated	50
------------------	---------------	----

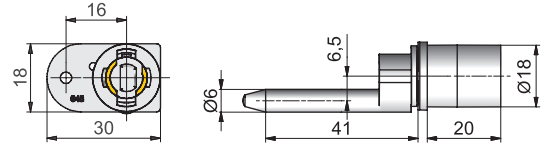
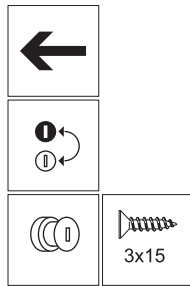
Pedestal locks

System 42	Order - No.	Finish	BQ
-----------	-------------	--------	----

Central locking



Lock 421.03



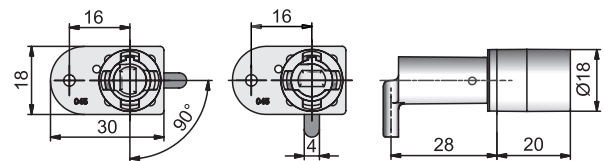
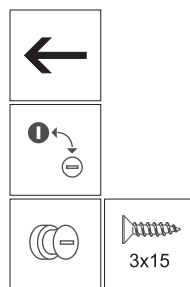
144212035←	nickel plated	50
------------	---------------	----

Type 47

Central locking



Lock 471.03

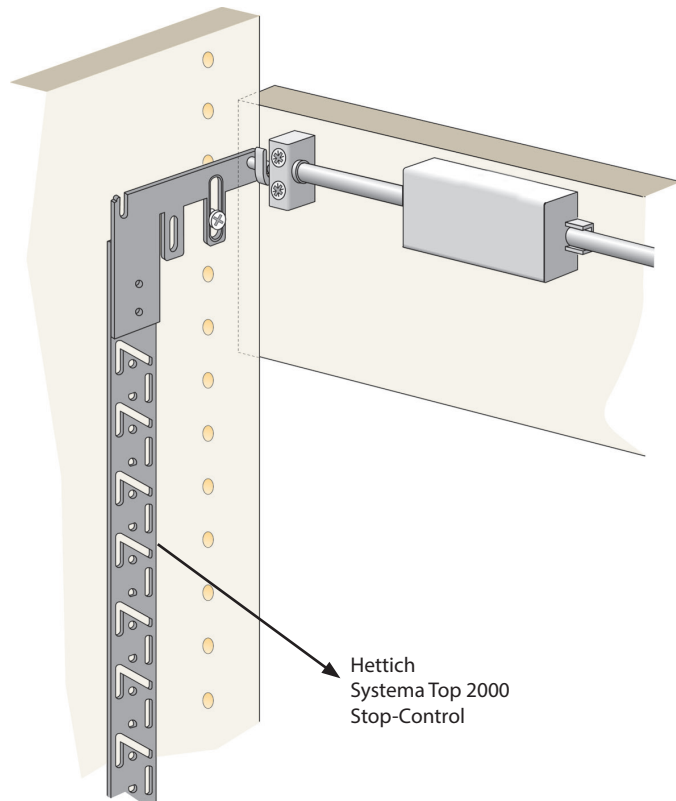
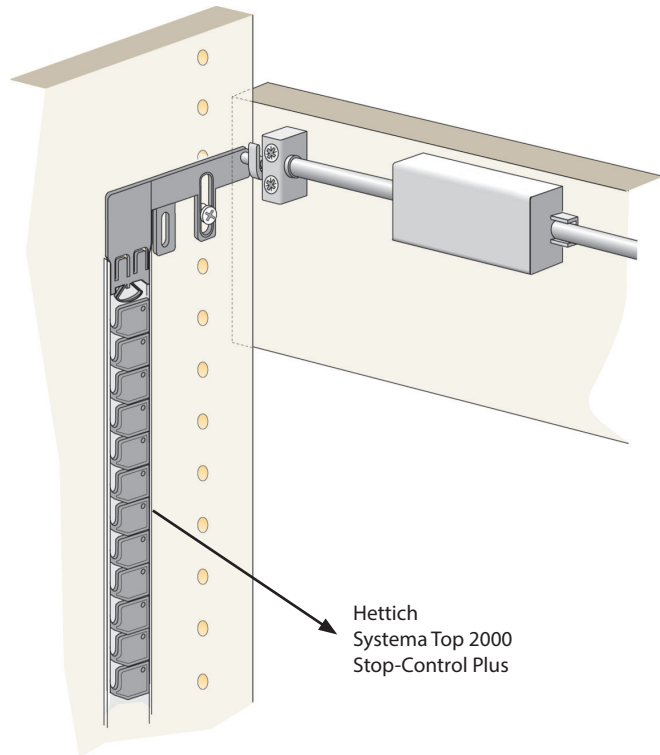
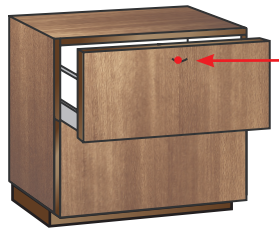
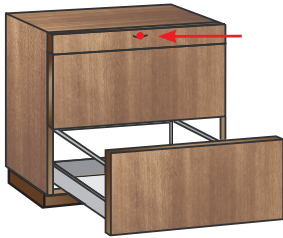


144712035←	nickel plated	50
------------	---------------	----

Side Filer / Central Drawer Locking

System 491

Application example



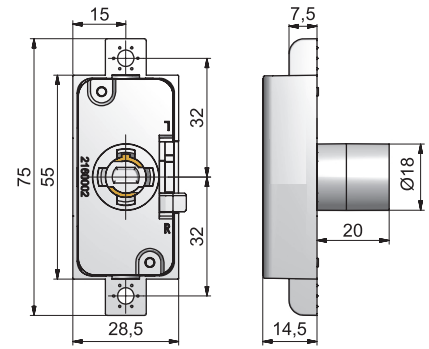
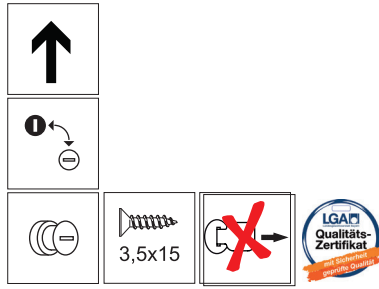
Side Filer / Drawer Locking

Type 491	Order - No.	Finish	BQ
----------	-------------	--------	----

Central locking



Espagnolette lock 750



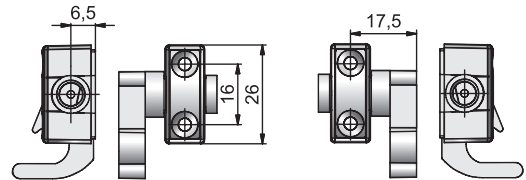
1475728001	15 mm	nickel plated	50
-------------------	--------------	---------------	----

System components 491



Rod lift component
513/514

Type 513
Type 514



Type 513

Type 514

464405130 ←	nickel plated	50
464405140 →	nickel plated	50




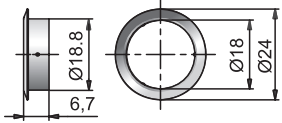

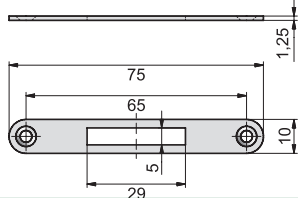


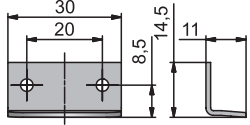


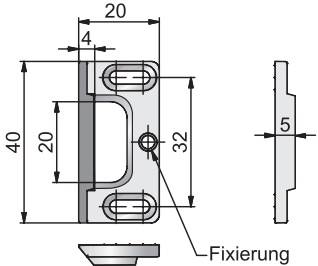
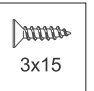

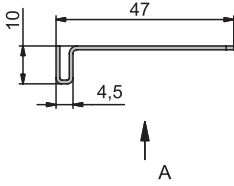
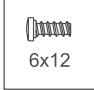

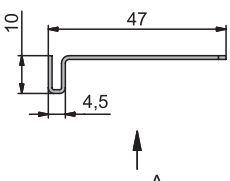
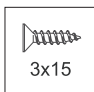
Bar 6/5




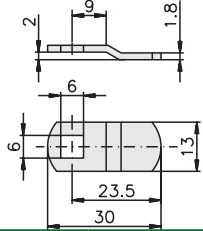

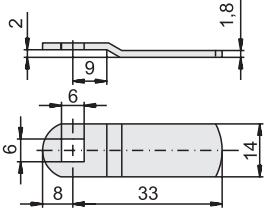

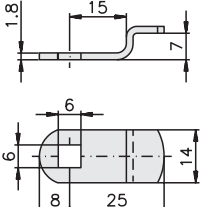

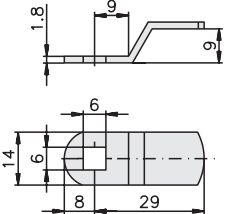
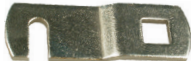
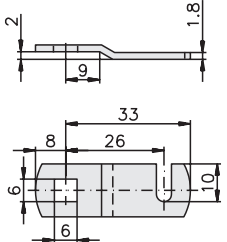

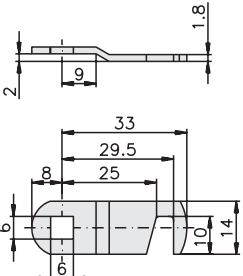
541000599	1000 mm	nickel plated	50
------------------	----------------	---------------	----

Further lengths on request

Accessories

System components	Order - No.	Finish	BQ
 <p>Rosette Ø 18</p> <p>To fix on cylinder</p> 	441800400	nickel plated	250
 <p>Striker plate 7510</p>  	447510200	nickel plated	250
 <p>Striker plate 3011</p>  	443011100	nickel plated	250
 <p>Striker plate 4005</p>   <p>Fixierung</p>	440060010	nickel plated	250
 <p>Striker plate 4515</p>  	444515110	nickel plated	250
 <p>Striker plate 4516</p>  	444516110	nickel plated	250

Accessories

System components	Order - No.	Finish	BQ
			
Bolt 023	443710230	nickel plated	250
			
Bolt 126	443711260	nickel plated	250
			
Bolt 335	443713350	nickel plated	250
			
Bolt 152	443711520	nickel plated	250
			
Bolt 024	443710240	nickel plated	250
			
Bolt 329	443713290	nickel plated	250



Opaline



e-solutions



Open your mind!



Dial locks

